

4

3

2

1

D

D

C

C

B

B

A

A

045-00-160  
Valve: Metric [17.35mm OD X 7mm ID X 0.15mm THK]

210-24-171  
Damping Adj Part: Piston Stud, 6mm

039-00-120  
Spring: Rebound Check, 09 36\_40

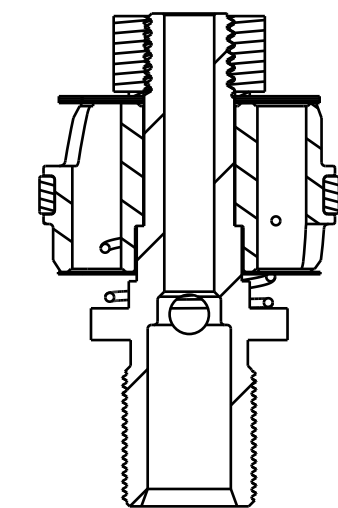
\* PISTON ORIENTATION IS CRITICAL  
SMALL PORTS FACE NUT

002-02-068  
Bearing, External: Glide Ring, Molded, Z-Cut, 20.0 Bore

222-01-294  
Piston, Damping, Rebound, PM, 18.5 Bore

019-00-018  
Fastener, Standard (Metric), Nut, M6 x .75

VALVES



SECTION A-A

- PROPRIETARY -  
THIS DOCUMENT CONTAINS CONFIDENTIAL, PROPRIETARY INFORMATION  
THAT IS FOX PROPERTY. DO NOT DISCLOSE TO OR DUPLICATE  
FOR OTHERS EXCEPT AS AUTHORIZED BY FOX.

		<b>FOX Factory, Inc.</b>	Ph 831-768-1100
		130 Hangar Way, Watsonville, CA 95076 USA	Fax 831-768-9312
<b>Rebound Piston, 2017 Grip</b>			
TITLE			
SIZE	DWG. NO.		
<b>C</b>			
PLOT SCALE	2.00:1		SHEET 1 OF 1

4

3

2

1